



Port & Company® Jumbo Tote B300



This sturdy, oversized tote is perfect for day trips, errands and more.

- 10-ounce, 100% cotton twill
- Durable cotton web handles
- Dimensions: 15”h x 20”w x 5”d; Approx. 1,500 cubic inches

Note: Bags not intended for use by children 12 and under. Includes a California Prop 65 and social responsibility [hangtag](#).

COLOR



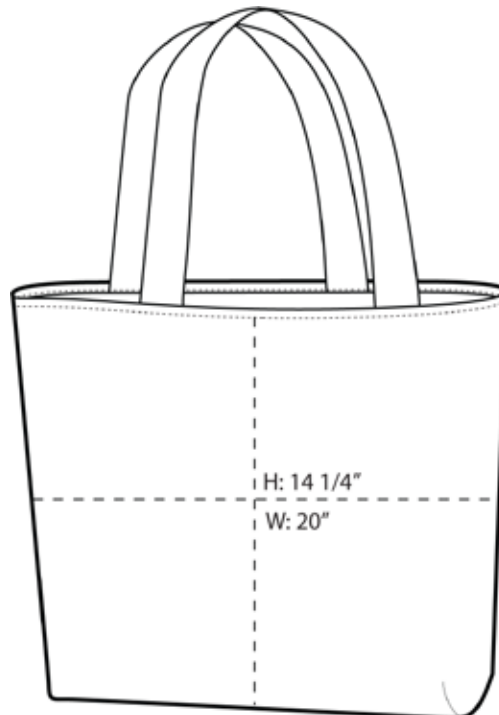
Black
PMS NTR BLACK C



Natural
PMS 7500 C



Front View



Back View

Note: Best graphic placement should be per the embellisher/screen printer recommendations.